

HOW to DESIGN, BUILD and TEST SMALL LIQUID-FUEL ROCKET ENGINES

ROCKETLAB / CHINA LAKE, CALIFORNIA

NOTICE

ROCKETLAB cannot assume responsibility, in any manner whatsoever, for the use readers make of the information presented herein or the devices resulting therefrom.

CORRESPONDENCE

Comments regarding this booklet should be sent to:

Note: *The following address has not been verified and may not be current, since it was the address listed in the original text from 1967.*

ROCKETLAB
Post Office Box 1139
Florence, Oregon 97439

COVER PHOTOGRAPH

Exhaust plume from small 75-lb thrust water cooled liquid-fuel rocket engine. Propellants are gaseous oxygen and methyl alcohol. Official U. S. Navy photograph.

Note: *Photograph mentioned was not included in this PDF version due to it's poor quality (my copy of the book is pretty ragged) and it appears to be the quality of a Xerox copy to start.*

Copyright © 1967 by Leroy J. Krzycki
Printed in the United States of America
First printing: March 1967
Second printing: March 1971
ISBN 9600-1980-4

PDF version created by Tim Patterson, <http://www.rocketry.org/~tim/>

HOW to DESIGN, BUILD and TEST SMALL LIQUID-FUEL ROCKET ENGINES

CONTENTS

5	INTRODUCTION	
7	PROPELLANT CHOICE	
12	PROPELLANT PROPERTIES	
13	DESIGN EQUATIONS	
13	Nozzle	
17	Combustion Chamber	
18	Chamber Wall Thickness	
19	Engine Cooling	
20	Heat Transfer	
21	Materials	
23	Injectors	
26	EXAMPLE DESIGN CALCULATION	
33	Design	
34	FABRICATION	
39	TESTING EQUIPMENT	
39	Feed System	
39	Feed System Components	
48	TEST STAND	
51	SAFETY EQUIPMENT	
53	ENGINE CHECK-OUT AND CALIBRATION	
55	IGNITION AND OPERATION	
60	THE LAW	
61	BIBLIOGRAPHY	
63	LIST OF SUPPLIERS	
70	CONVERSION FACTORS	
71	ADDITIONAL ONLINE RESOURCES	(Added 03/2003)

FOREWORD

The rocket engine is a relatively simple device in which the propellants are burned and the resulting high pressure gases are expanded through a specially shaped nozzle to produce thrust. Gas pressurized propellant tanks and simple propellant flow controls make operation of a small liquid-fuel rocket engine about as simple as operating an automobile engine. When then do so many amateur rocket engines fail or cause injury? The reason, usually and simply, is that the amateur is not accustomed to high pressure devices operating near material temperature limits. His normal every day life is, instead, filled with devices and gadgets operating at low pressures and at low thermal energy levels. With proper design, careful workmanship, and good test equipment operating in a safe manner, the amateur can build small liquid-fuel rocket engines which will have hours of safe operating life.

The purpose of this publication is to provide the serious amateur builder with design information, fabrication procedures, test equipment requirements, and safe operating procedures for small liquid-fuel rocket engines.

HOW to DESIGN, BUILD and TEST SMALL LIQUID-FUEL ROCKET ENGINES

INTRODUCTION

A liquid rocket engine employs liquid propellants which are fed under pressure from tanks into a combustion chamber. The propellants usually consist of a liquid oxidizer and a liquid fuel. In the combustion chamber the propellants chemically react (burn) to form hot gases which are then accelerated and ejected at high velocity through a nozzle, thereby imparting momentum to the engine. Momentum is the product of mass and velocity. The thrust force of a rocket motor is the reaction experienced by the motor structure due to the ejection of the high velocity matter. This is the same phenomenon which pushes a garden hose backward as water squirts from the nozzle or makes a gun recoil when fired.

A typical rocket motor consists of the combustion chamber, the nozzle, and the injector, as shown in Figure 1. The combustion chamber is where the burning of propellants takes place at high pressure.

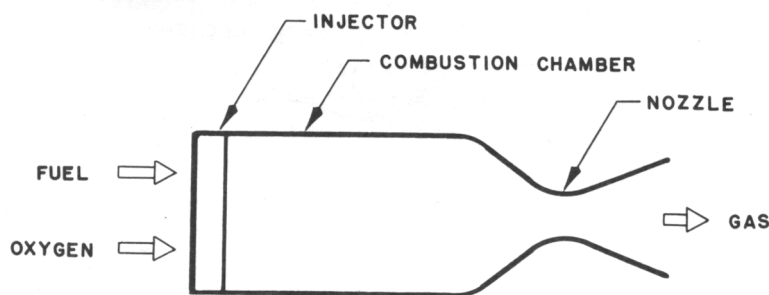


Figure 1 Typical Rocket Motor

The chamber must be strong enough to contain the high pressure generated by, and the high temperature resulting from, the combustion process. Because of the high temperature and heat transfer, the chamber and nozzle are usually cooled. The chamber must also be of sufficient length to ensure complete combustion before the gases enter the nozzle.

The function of the nozzle is to convert the chemical-thermal energy generated in the combustion chamber into kinetic energy. The nozzle converts the slow moving, high pressure, high temperature gas in the combustion chamber into high velocity gas of lower pressure and temperature. Since thrust is the product of mass (the amount of gas flowing through the nozzle) and velocity, a very high gas velocity is desirable. Gas velocities from on to two miles per second (5,000 to 12,000 feet per second) can be obtained in rocket nozzles. Nozzles which perform this seemingly amazing feat are called DeLaval nozzles (after their inventor) and consist of a convergent and divergent section, as shown in Figure 2. The minimum flow area between the convergent and divergent section is called the nozzle throat.

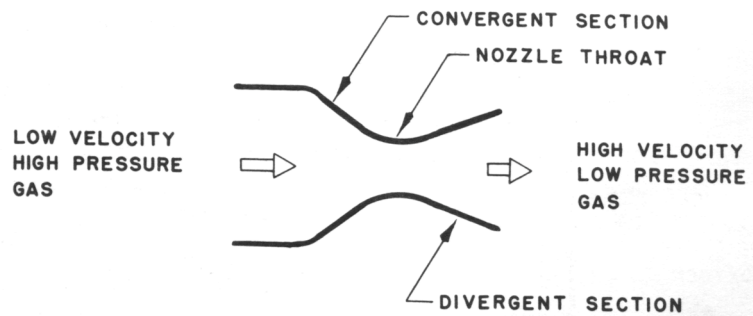


Figure 2 DeLeval Nozzle

The flow area at the end of the divergent section is called the nozzle exit area. The nozzle is usually made long enough (or the exit area is great enough) such that the pressure in the combustion chamber is reduced at the nozzle exit to the pressure existing outside the nozzle. If the rocket engine is being fired at sea level this pressure is about 14.7 pounds per square inch (psi). If the engine is designed for operation at high altitude the exit pressure is less than 14.7 psi. The drop in temperature of the combustion gases flowing through the nozzle is high and can be as much as 2,000° - 3,000° F. Since the gases in the combustion chamber may be at 5,000° - 6,000° F, the gas temperature at the nozzle exit is still about 3,000° F.

PROPELLANT CHOICE

Liquid rocket engines can burn a variety of oxidizer and fuel combinations, some of which are tabulated in Table I. Most of the propellant combinations listed are dangerous, toxic, and expensive. The amateur builder of rocket engines on the other hand, requires propellants that are readily available, reasonably safe and easy to handle, and inexpensive. Based on experience, ROCKETLAB recommends the use of gaseous oxygen as the oxidizer and a hydrocarbon liquid as the fuel. They give good performance, the combustion flame is readily visible, and their combustion temperature presents an adequate design challenge to the amateur builder. The propellants are used in the Atlas missile and the Saturn space booster. In these systems, however, liquid rather than gaseous oxygen is used as the oxidizer.

Gaseous oxygen can be readily and inexpensively obtained in pressurized cylinders in almost any community because of its use in oxy-acetylene welding. With reasonable precautions, to be detailed later, the gas (and cylinder) is safe to handle for test stand use. Gas pressures are easily regulated with commercial regulators and gas flow rate is easily controlled with commercially available valves.

TABLE I Calculated Performance of Some Liquid Propellants

Propellant Combination Oxidizer/Fuel	Combustion Pressure, psi	Mixture Ratio	Flame Temp °F	Isp, sec
Liquid oxygen & gasoline	300	2.5	5470	242
Gaseous oxygen & gasoline	300	2.5	5742	261
Gaseous oxygen & gasoline	500	2.5	5862	279
Liquid oxygen & JP-4 (jet fuel)	500	2.2	5880	255
Liquid oxygen & methyl alcohol	300	1.25	5180	238
Gaseous oxygen & methyl alcohol	300	1.2	5220	248
Liquid oxygen & hydrogen	500	3.5	4500	363
Red fuming nitric acid & JP-4	500	4.1	5150	238

Note: expansion to 14.7 psi

Hydrocarbon fuels, such as gasoline and alcohol, are readily available in any community. Safety precautions are already known by most responsible individuals due to wide use of the fuels in internal combustion engines for automobiles and power equipment.

All subsequent sections of this publication will refer to, and assume, that the propellants to be used in amateur liquid-fuel rocket engines are gaseous oxygen and hydrocarbon fuel.

The flame temperature of hydrocarbon fuels burned in gaseous oxygen at various combustion chamber pressures is shown in Figure 3 for the stoichiometric mixture ratio. Mixture ratio is defined as the weight flow of oxidizer divider by the weight flow of fuel, or

$$O/F = w_o/w_f \quad (1)$$

where w_o = lb of oxygen/sec

w_f = lb of fuel/sec

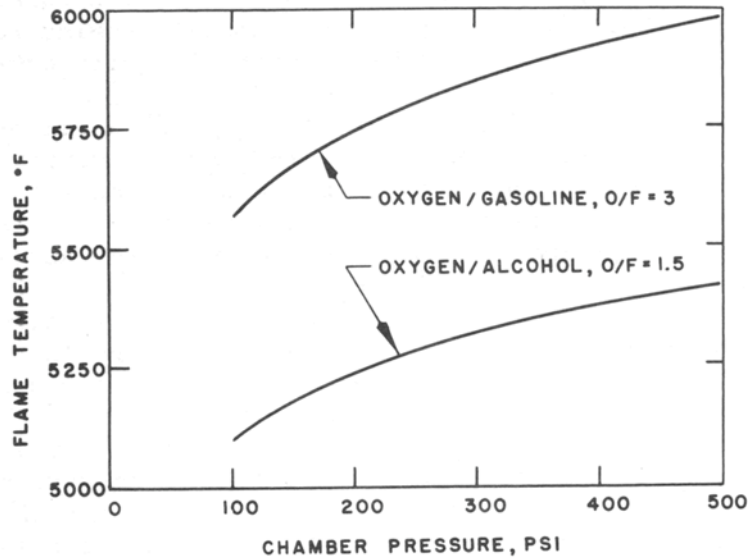


Figure 3 Flame temperature versus chamber pressure at stoichiometric mixture ratio

When a stoichiometric ratio is achieved just enough oxygen is present to chemically react with all of the fuel; the highest flame temperature is achieved under these conditions. If a lower flame temperature is desired it is usually better to have more fuel present than oxidizer; this is known as burning “off-ratio” or “fuel rich.” This condition is less severe on the rocket engine than burning at stoichiometric oxygen-rich conditions.

Figure 4 indicates how the flame temperature varies when combustion chamber pressure is held at a constant value and the mixture ratio is allowed to vary.

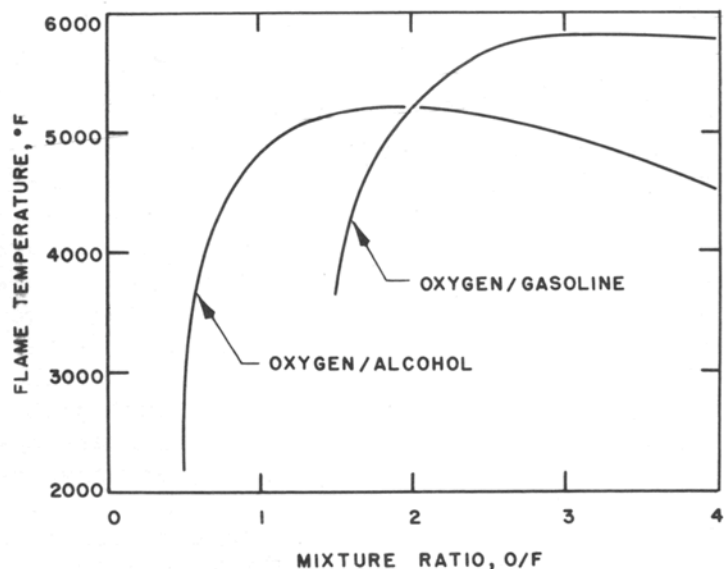


Figure 4 Flame temperature versus mixture ratio at a constant chamber pressure of 300 psi

The thrust developed per pound of total propellant burned per second is known as specific impulse and is defined as:

$$I_{sp} = \text{thrust} / \text{total propellant flow rate} \quad (2)$$

Figure 5 indicates the maximum performance possible from hydrocarbon fuels burned with gaseous oxygen at various chamber pressures with the gas expanded to atmospheric pressure. This graph may be used to determine the propellant flow rate required to produce a certain thrust. Suppose you wish to design a rocket engine using gaseous oxygen and gasoline propellants to be burned at a chamber pressure of 200 psi with a thrust of 100 lbs. At these conditions the propellant performance, from figure 5, is 244 lb of thrust per 1 lb of propellant burned per second. Therefore

$$w_t = F / I_{sp} = 100 / 244 = 0.41 \text{ lb/sec} \quad (3)$$

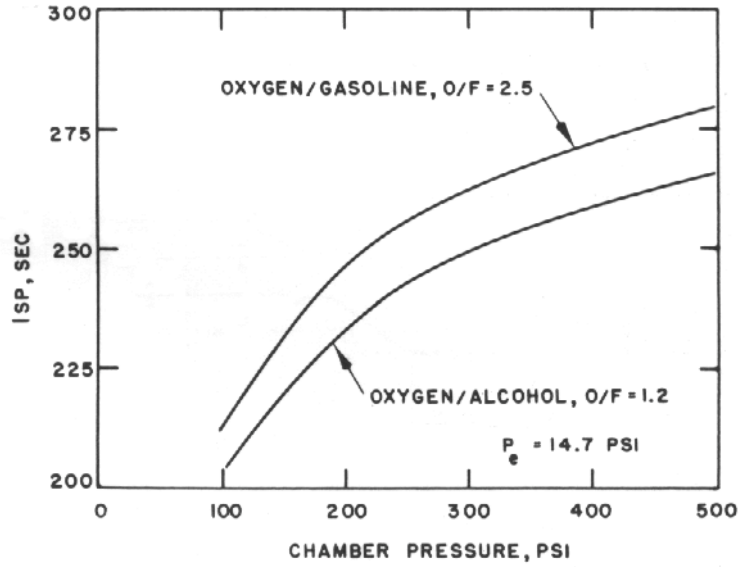


Figure 5 I_{sp} performance of hydrocarbon fuels with gaseous oxygen.

Since the minimum I_{sp} mixture ratio (r) for oxygen and gasoline is 2.5, we have

$$w_o = w_t \frac{r}{(r + 1)} = 0.293 \text{ lb/sec} \quad (4)$$

$$w_f = w_t / (r + 1) = 0.117 \text{ lb/sec} \quad (5)$$

$$w_t = w_o + w_f \quad (6)$$

PROPELLANT PROPERTIES

The chemical and physical properties of gaseous oxygen, methyl alcohol, and gasoline are given in Table II.

TABLE II Physical Properties of Selected Rocket Propellants

Propellant	Gaseous Oxygen	Methyl Alcohol	Gasoline
Chemical formula	O ₂	CH ₃ OH	C ₈ H ₁₈
Molecular weight	32	34.04	114
Color	colorless	colorless	colorless
Effect on metals	none	none	none
Fire hazard	high	high	high
Toxicity	none	toxic	mild
Density	0.083 lb/ft ³	48 lb/ft ³	44.5 lb/ft ³

Note: The density of gaseous oxygen at conditions other than standard can be determined from
 $\rho_2 = \rho_1(P_2/P_1)(T_1/T_2)$, where $P_1 = 14.7$ psi, $T_1 = 68^\circ\text{F}$, $\rho_1 = 0.083$

DESIGN EQUATIONS

The following section will detail simplified equations for the design of small liquid-fuel rocket motors. The nomenclature for the motor design is shown in Figure 6.

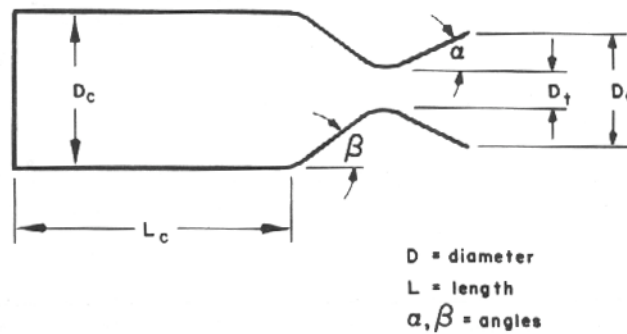


Figure 6 Motor Design Configuration

Nozzle

The nozzle throat cross-sectional area may be computed if the total propellant flow rate is known and the propellants and operating conditions have been chosen. Assuming perfect gas law theory:

$$A_t = w_t / P_t \sqrt{R T_t / \gamma g_c} \quad (7)$$

where R = gas constant, given by $R = R_u / M$. R_u is the universal gas constant equal to 1545.32 ft-lb/lb $^\circ$ R, and M is the molecular weight of the gas. The molecular weight of the hot gaseous products of combustion of gaseous oxygen and hydrocarbon fuel is about 24, so that R is about 65 ft-lb/lb $^\circ$ R.

Gamma, γ , is the ratio of gas specific heats and is a thermodynamic variable which the reader is encouraged to read about elsewhere (see Bibliography). Gamma is about 1.2 for the products of combustion of gaseous oxygen and hydrocarbon fuel.

g_c is a constant relating to the earth's gravitation and is equal to 32.2 ft/sec/sec.

For further calculations the reader may consider the following as constants whenever gaseous oxygen and hydrocarbon fuel propellants are used:

$$R = 65 \text{ ft-lb/lb}^\circ\text{R}$$

$$\gamma = 1.2$$

$$g_c = 32.2 \text{ ft/sec}^2$$

T_t is the temperature of the gases at the nozzle throat. The gas temperature at the nozzle throat is less than in the combustion chamber due to loss of thermal energy in accelerating the gas to local speed of sound (Mach number = 1) at the throat. Therefore

$$T_t = T_c \left[\frac{1}{1 + \frac{\gamma - 1}{2}} \right] \quad (8)$$

For $\gamma = 1.2$

$$T_t = (.909) (T_c) \quad (9)$$

T_c is the combustion chamber flame temperature in degrees Rankine ($^\circ\text{R}$), given by

$$T (^\circ\text{R}) = T (^\circ\text{F}) + 460 \quad (10)$$

P_t is gas pressure at the nozzle throat. The pressure at the nozzle throat is less than in the combustion chamber due to acceleration of the gas to the local speed of sound (Mach number =1) at the throat. Therefore

$$P_t = P_c \left[1 + \frac{\gamma - 1}{2} \right]^{-\frac{\gamma}{\gamma - 1}} \quad (11)$$

For $\gamma = 1.2$

$$P_t = (.564)(P_c) \quad (12)$$

The hot gases must now be expanded in the diverging section of the nozzle to obtain maximum thrust. The pressure of these gases will decrease as energy is used to accelerate the gas and we must now find that area of the nozzle where the gas pressure is equal to atmospheric pressure. This area will then be the nozzle exit area.

Mach number is the ratio of the gas velocity to the local speed of sound. The mach number at the nozzle exit is given by a perfect gas law expansion expression

$$M_e^2 = \frac{2}{\gamma - 1} \left[\left(\frac{P_c}{P_{atm}} \right)^{\frac{\gamma - 1}{\gamma}} - 1 \right] \quad (13)$$

P_c is the pressure in the combustion chamber and P_{atm} is atmospheric pressure, or 14.7 psi.

The nozzle exit area corresponding to the exit Mach number resulting from the choice of chamber pressure is given by

$$A_e = \frac{A_t}{M_e} \left[\frac{1 + \frac{\gamma - 1}{2} M_e^2}{(\gamma + 1)/2} \right]^{\frac{\gamma + 1}{2(\gamma - 1)}} \quad (14)$$

Since γ is fixed at 1.2 for gaseous oxygen and hydrocarbon propellant products, we can eliminate the parameters for future design use; the results are tabulated in Table III.

TABLE III Nozzle Parameters for Various Chamber Pressures, $\gamma = 1.2$, $P_{atm} = 14.7$ psi

P_c	M_e	A_e/A_t	T_e/T_c
100	1.95	1.79	0.725
200	2.33	2.74	0.65
300	2.55	3.65	0.606
400	2.73	4.6	0.574
500	2.83	5.28	0.55

Therefore,

$$A_e = A_t (A_e/A_t) \quad (15)$$

The temperature ratio between the chamber gases and those at the nozzle exit is given by

$$T_e = T_c (T_e/T_c) \quad (16)$$

The nozzle throat area diameter is given by

$$D_t = \sqrt{4A_t/\pi}, \quad \pi = 3.14 \quad (17)$$

and the exit diameter is given by

$$D_e = \sqrt{4A_e/\pi} \quad (18)$$

A good value for the nozzle convergence half-angle θ (see Figure 3) is 60° . The nozzle divergence half-angle, ϕ , should be no greater than 15° to prevent nozzle internal flow losses.

Combustion Chamber

A parameter describing the chamber volume required for complete combustion is the characteristic chamber length, L^* , which is given by

$$L^* = V_c/A_t \quad (19)$$

Where V_c is the chamber volume (including the converging section of the nozzle), in cubic inches, and A_t is the nozzle throat area (in^2). For gaseous oxygen/hydrocarbon fuels, an L^* of 50 to 100 inches is appropriate. L^* is really a substitute for determining the chamber residence time of the reacting propellants.

To reduce losses due to flow velocity of gases within the chamber, the combustion chamber cross-sectional area should be at least three times the nozzle throat area.

The combustion chamber cross-sectional area is given by

$$A_c = \pi D_c^2/4 \quad (20)$$

The chamber volume is given by

$$V_c = A_c L_c + \text{convergent volume}$$

For small combustion chambers the convergent volume is about 1/10 the volume of the cylindrical portion of the chamber, so that

$$V_c = 1.1(A_c L_c) \quad (21)$$

The chamber diameter for small combustion chambers (thrust levels less than 75 pounds) should be three to five times the nozzle throat diameter so the injector will have useable face area.

Chamber Wall Thickness

The combustion chamber must be able to withstand the internal pressure of the hot combustion gases. The combustion chamber must also be physically attached to the cooling jacket and, therefore, the chamber wall thickness must be sufficient for welding or brazing purposes. Since the chamber will be a cylindrical shell, the working stress in the wall is given by

$$S = PD/2t_w \quad (22)$$

Where P is the pressure in the combustion chamber (neglecting the effect of coolant pressure on the outside of the shell), D is the mean diameter of the cylinder, and t_w is the thickness of the cylinder wall. A typical material for small water-cooled combustion chambers is copper, for which the allowable working stress is about 8,000 psi. The thickness of the combustion chamber wall is therefore given by

$$t_w = PD/16000 \quad (23)$$

This is the minimum thickness; actually the thickness should be somewhat greater to allow for welding, buckling, and stress concentration. The thickness of the chamber wall and nozzle are usually equal.

Equation (22) can also be used to calculate the wall thickness of the water cooling jacket. Here again, the value of t_w will be the minimum thickness since welding factors and design considerations (such as O-ring grooves, etc.) will usually require walls thicker than those indicated by the stress equation. A new allowable stress value must be used in Equation (22), dependent on the jacket material chosen.

Engine Cooling

The amateur should not consider building un-cooled rocket engines since they can operate for only a short time and their design requires a thorough knowledge of heat and mass transfer engineering. Cooled rocket motors have provision for cooling some or all metal parts coming into contact with the hot combustion gases. The injector is usually self-cooled by the incoming flow of propellants. The combustion chamber and nozzle definitely require cooling.

A cooling jacket permits the circulation of a coolant, which, in the case of flight engines is usually one of the propellants. However, for static tests and for amateur operation, water is the only coolant recommended. The cooling jacket consists of an inner and outer wall. The combustion chamber forms the inner wall and another concentric but larger cylinder provides the outer wall. The space between the walls serves as the coolant passage. The nozzle throat region usually has the highest heat transfer intensity and is, therefore, the most difficult to cool.

The energy release per unit chamber volume of a rocket engine is very large, and can be 250 times that of a good steam boiler or five times that of a gas turbine combustion chamber. The heat transfer rate of a rocket engine is usually 20 to 200 times that of a good boiler. It is apparent, therefore, that the cooling of a rocket engine is a difficult and exacting task. The complete heat transfer design of a rocket engine is extremely complex and is usually beyond the capabilities of most amateur builders. Some important empirical design guidelines are available, however, and are listed below:

1. Use water as the coolant.
2. Use copper for the combustion chamber and nozzle walls.
3. Water flow velocity in the cooling jacket should be 20 to 50 feet per second.
4. Water flow rate should be high enough so that boiling does not occur.
5. Extend the water cooling jacket beyond the face of the injector.
6. A steady flow of cooling water is essential.

Heat Transfer

The largest part of the heat transferred from the hot chamber gases to the chamber walls is by convection. The amount of heat transferred by conduction is small and the amount transferred by radiation is usually less than 25% of the total. The chamber walls have to be kept at a temperature such that the wall material strength is adequate to prevent failure. Material failure is usually caused by either raising the wall temperature on the gas side so as to weaken, melt, or damage the wall material or by raising the wall temperature on the liquid coolant side so as to vaporize the liquid next to the wall. The consequent failure is caused because of the sharp temperature rise in the wall caused by excessive heat transfer to the boiling coolant.

In water-cooled chambers the transferred heat is absorbed by the water. The water must have an adequate heat capacity to prevent boiling of the water at any point in the cooling jacket. The total heat transferred from the chamber to the cooling water is given by

$$Q = q A = w_w c_p (T - T_i) \quad (24)$$

where

Q	=	total heat transferred, Btu/sec
q	=	average heat transfer rate of chamber, Btu/in ² -sec
A	=	heat transfer area, in ²
w _w	=	coolant flow rate, lb/sec
c _p	=	specific heat of coolant, Btu/lb°F
T	=	temperature of coolant leaving jacket, °F
T _i	=	temperature of coolant entering jacket, °F

The use of this equation will be illustrated in the section Example Design Calculation.

Materials

The combustion chamber and nozzle walls have to withstand relatively high temperature, high gas velocity, chemical erosion, and high stress. The wall material must be capable of high heat transfer rates (which means good thermal conductivity) yet, at the same time, have adequate strength to withstand the chamber combustion pressure. Material requirements are critical only in those parts which come into direct contact with propellant gases. Other motor components can be made of conventional materials.

Once the wall material of an operating rocket engine begins to fail, final burn-through and engine destruction are extremely rapid. Even a small pinhole in the chamber wall will almost immediately (within one second) open into a large hole because of the hot chamber gases (4000-6000°F) will oxidize or melt the adjacent metal, which is then blown away exposing new metal to the hot gases.

Exotic metals and difficult fabrication techniques are used in today's space and missile rocket engines, providing a lightweight structure absolutely required for efficient launch and flight vehicles. These are advanced metals and fabrication techniques are far outside the reach of the serious amateur builder. However, the use of more commonplace (and much less expensive!) metals and fabrication techniques is quite possible, except that a flight weight engine will not result. Since almost all amateur rocket firing should be conducted on a static test stand, this is not a severe restriction to the amateur builder. Experience with a wide variety of rocket engine designs leads to the following recommendations for amateur rocket engines:

1. The combustion chamber and nozzle should be machined in one piece, from copper.
2. Those injector parts in contact with the hot chamber gases should also be machined from copper.
3. The cooling jacket and those injector parts not in contact with the hot propellant gases, should be fabricated from brass or stainless steel.
4. Expert machine and welding work is essential to produce a safe and useable rocket engine. Shoddy or careless workmanship, or poor welds, can easily cause engine failure.

Injectors

The function of the injector is to introduce the propellants into the combustion chamber in such a way that efficient combustion can occur. There are two types of injectors which the amateur builder can consider for small engine design. One of these is the impinging stream injector in which the oxidizer and fuel are injected through a number of separate holes so that the resulting streams intersect with each other. The fuel stream will impinge with the oxidizer stream and both will break up into small droplets. When gaseous oxygen is used as the oxidizer, and a liquid hydrocarbon is used as the fuel, the impingement of the liquid stream with the high velocity gas stream results in diffusion and vaporization, causing good mixing and efficient combustion. A disadvantage of this type of injector is that extremely small holes are required for small engine flow rates and the hydraulic characteristics and equations normally used to predict injector parameters do not give good results for small orifices. The small holes are also difficult to drill, especially in soft copper.

However, to provide a complete picture of the equations used in rocket engine design, we present below the equation for the flow of liquid through a simple orifice (a round drilled hole, for example)

$$w = C_d A \sqrt{2g\rho\Delta P} \quad (25)$$

where

w	=	propellant flow rate, lb/sec
A	=	area of orifice, ft ²
ΔP	=	pressure drop across orifice, lb/ft ²
ρ	=	density of propellant, lb/ft ³
g	=	gravitational constant, 32.2 ft/sec ²
C _d	=	orifice discharge coefficient

The discharge coefficient for a well-shaped simple orifice will usually have a value between 0.5 and 0.7.

The injection velocity, or velocity of the liquid stream issuing from the orifice, is given by

$$v = c_d \sqrt{2g (\Delta P/\rho)} \quad (26)$$

Injection pressure drops of 70 to 150 psi, or injection velocities of 50 to 100 ft/sec, are usually used in small liquid-fuel rocket engines. The injection pressure drop must be high enough to eliminate combustion instability inside the combustion chamber but must not be so high that the tankage and pressurization system used to supply fuel to the engine is penalized.

A second type of injector is the spray nozzle in which conical, solid cone, hollow cone, or other type of spray sheet can be obtained. When a liquid hydrocarbon fuel is forced through a spray nozzle (similar to those used in home oil burners) the resulting fuel droplets are easily mixed with gaseous oxygen and the resulting mixture readily vaporized and burned. Spray nozzles are especially attractive for the amateur builder since several companies manufacture them commercially for oil burners and other applications. The amateur need only determine the size and spray characteristics required for his engine design and the correct spray nozzle can then be purchased at a low cost. Figure 7 illustrates the two types of injectors.

The use of commercial spray nozzles for amateur-built rocket engines is highly recommended.

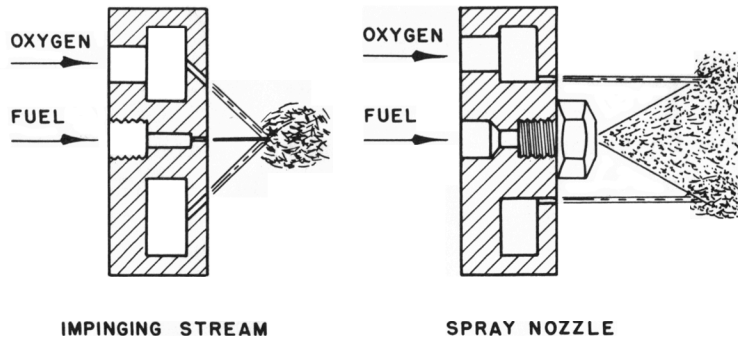


Figure 7 Fuel Injectors for Amateur Rocket Engines.

EXAMPLE DESIGN CALCULATION

The following example illustrates the use of the equations, tables, and concepts presented in the previous sections.

A small water-cooled liquid-fuel rocket engine is to be designed for a chamber pressure of 300 psi and a thrust of 20 pounds. The engine is to operate at sea level using gaseous oxygen and gasoline propellants.

Step 1

From Table I and Figures 3, 4, and 5 we determine that the optimum O/F ratio is about 2.5 and that the ideal specific impulse will be about 260 seconds. The total propellant flow rate is given by Equation (3)

$$w = F/I_{sp} = 20/260 = 0.077 \text{ lb/sec}$$

Since the mixture ratio, r , is 2.5, we find from Equation (5)

$$w_f = w/(r + 1) = 0.077/3.5 = 0.022 \text{ lb/sec}$$

From Equation (6) the oxygen flow rate is

$$w_o = 0.077 - 0.022 = 0.055 \text{ lb/sec}$$

As a check, we divide the oxygen flow rate by the fuel flow rate and the result is 2.5, as it should be.

Step 2

From Table I we note that the chamber gas temperature is 5742°F , or about 6202°R . From Equation (9) the gas temperature at the nozzle throat is

$$T_t = .909 (T_c) = .909 (6202) = 5650 \text{ }^{\circ}\text{R}$$

Step 3

From Equation (12) the pressure at the nozzle throat is

$$P_t = .564 (P_c) = .564 (300) = 169 \text{ psi}$$

Step 4

The nozzle throat area is given by Equation (7)

$$A_t = (w/P_t) (RT_t/\gamma g_c)^{\frac{1}{2}}$$
$$A_t = (.077/169) (9500)^{\frac{1}{2}} = 0.0444 \text{ in}^2$$

Step 5

The nozzle throat diameter is given by Equation (17)

$$D_t = (4A_t/\pi)^{\frac{1}{2}} = (.0566)^{\frac{1}{2}} = 0.238 \text{ in.}$$

Step 6

From Table III we find that for a chamber pressure of 300 psi and a nozzle exit pressure of 14.7 psi (sea level)

$$A_e/A_t = 3.65$$

so that the nozzle exit area is, from Equation (15)

$$A_e = 3.65 A_t = (3.65)(.0444) = 0.162 \text{ in}^2$$

Step 7

The nozzle exit diameter is, from Equation (17)

$$D_e = (4A_e/\pi)^{\frac{1}{2}} = (.2065)^{\frac{1}{2}} = 0.4555 \text{ in.}$$

Step 8

For this propellant combination we will assume a combustion chamber L^* of 60 inches. The combustion chamber volume is given by Equation (19)

$$V_c = L^* A_t = (60)(.0444) = 2.67 \text{ in}^3$$

Step 9

The chamber length is found from Equation (21)

$$V_c = (1.1)(A_c L_c)$$

However, we must first determine the chamber area, or A_c . We do this by assuming that the chamber diameter is five times the nozzle throat diameter or $D_c = 5D_t$, therefore

$$D_c = 1.2 \text{ in.} \quad \text{and} \quad A_c = 1.13 \text{ in}^2$$

Therefore,

$$L_c = V_c/(1.1)(1.13) = 2.67/1.245 = 2.15 \text{ in.}$$

Step 10

Copper will be used for the combustion chamber and nozzle wall. The chamber wall thickness is given by Equation (23)

$$t_w = PD/16000 = (300)(1.2)/16000$$

$$t_w = 0.0225 \text{ inch}$$

To allow for additional stress and welding factors we shall set the wall thickness equal to $3/32$ or 0.09375 inch and will assume that the nozzle wall has this thickness also.

Step 11

Previous experience with small water-cooled rocket engines has shown that we can expect the copper combustion chamber and nozzle to experience an average heat transfer rate, q , of about 3 Btu/in²-sec. The heat transfer area of the combustion chamber is the outer surface area of the chamber and nozzle. The surface area is given by

$$A = \pi(D_c + 2t_w)(L_c) + \text{area of nozzle cone}$$

$$A = 9.4 \text{ in}^2 + \text{area of nozzle cone}$$

The area of the nozzle cone up to the throat can be assumed to be about 10% of the chamber surface area so that

$$A = (1.1)(9.4) = 10.35 \text{ in}^2$$

The total heat transferred into the coolant is given by Equation (24)

$$Q = q A = 3(10.35) = 31 \text{ Btu/sec}$$

Step 12

The cooling water flow rate can be calculated by assuming a desired temperature rise of the water. If this is 40°F then, from Equation (24)

$$w_w = Q/\Delta T, \text{ where } c_p \text{ for water} = 1.0$$

$$w = 31/40 = 0.775 \text{ lb of water per sec.}$$

Step 13

The annular flow passage between the combustion chamber wall and the outer jacket must be sized so that the flow velocity of the cooling water is at least 30 ft/sec. This velocity is obtained when the flow passage has dimensions as determined below:

$$v_w = w_w/\rho A$$

where $v_w = 30$ ft/sec, $w_w = 0.775$ lb/sec, $\rho = 62.4$ lb/ft³, and A is the area of the annular flow passage, given by

$$A = (\pi/4) (D_2^2 - D_1^2)$$

where D_2 is the inner diameter of the outer jacket and D_1 is the outer diameter of the combustion chamber, given by

$$D_1 = D_c + 2t_w$$

Substituting in the above equations

$$D_2 = \sqrt{\frac{4w}{v_w \rho \pi} + D_1^2}$$

$$D_2 = (.0151)^{\frac{1}{2}} = .123 \text{ ft} = 1.475 \text{ inch}$$

$$D_2 - D_1 = 0.085 \text{ inch}$$

The water flow gap is 0.0425 inch.

Step 14

The fuel injector for this small rocket engine will be a commercial spray nozzle with a 75° spray angle. The required capacity of the nozzle is determined by the fuel flow rate

$$w_f = 0.022 \text{ lb/sec} = 1.32 \text{ lb/minute}$$

Since there are six pounds of gasoline per gallon, the spray nozzle flow requirement is 0.22 gallons per minute (gpm). The spray nozzle can now be ordered from any of several suppliers (see List of Suppliers); nozzle material should be brass to ensure adequate injector heat transfer to the incoming propellant.

If an impinging jet injector had been chosen, the determination of the required injector hole number and size would have been as follows:

The flow area for fuel injection is given by Equation (25)

$$A = w_f / (C_d) (2g\rho\Delta P)^{\frac{1}{2}}$$

We will assume that $C_d = 0.7$ with a fuel injection pressure drop of 100 psi. The density of gasoline is about 44.5 lb/ft³, so that

$$A = .022 / (.7) (6430) = 0.0000049 \text{ ft}^2$$

$$A = 0.000706 \text{ in}^2$$

If only one injection hole is used (a poor practice which can lead to combustion instability) its diameter would be

$$D = (4A/\pi)^{\frac{1}{2}} = (.0009)^{\frac{1}{2}} = 0.030 \text{ inch}$$

A number 69 drill could be used for this hole.

If two fuel injection holes are used, their diameter would be

$$D = (.00045)^{\frac{1}{2}} = 0.021 \text{ inch}$$

A number 75 drill could be used for these holes.

Step 15

The injection holes for the gaseous oxygen will be simple drilled orifices. The size of these orifices should be such that a gas stream velocity of about 200 ft/sec is obtained at design oxygen flow rate. The holes must not be so small that sonic velocity is achieved in the orifice passages since this would result in a high upstream pressure requirement to drive the required amount of oxygen through the orifices.

If a spray nozzle fuel injector is used we will assume the use of four equally spaced oxygen injection ports parallel to the combustion chamber centerline around this nozzle. If we assume an injection pressure drop of 100 psi then the oxygen gas pressure at the entrance to the injection ports will be 400 psi (the chamber pressure plus the injection pressure drop). The density of gaseous oxygen at 400 psi and a temperature of 68°F is given by the perfect gas law (see Table II)

$$\rho_2 = \rho_1 (P_2/P_1) = 2.26 \text{ lb/ft}^3$$

Assuming incompressibility, the injection flow area is given by

$$A = w_o / \rho v_o$$

Since we know the oxygen flow rate and the desired injection velocity, we can easily find the total injection area

$$A = .055 / (2.26)(200) = 0.0001217 \text{ ft}^2$$

$$A = 0.0175 \text{ in}^2$$

Since there are to be four holes, each hole has an area of 0.004375 in^2 and the diameter of each hole is

$$D = (.00558)^{\frac{1}{2}} = 0.0747 \text{ inch}$$

A number 48 drill could be used for these holes.

These same size oxygen jets could also be used with two fuel jets in the impinging stream injector. The holes, oxygen and fuels, should be drilled at an angle of 45° with respect to the injector face with the intersection point of the streams about $1/4$ inch inside the combustion chamber.

Design

The foregoing design calculations provide the dimensions, thicknesses, and orifice sizes for the major components of our rocket engine. The actual design of the rocket engine, however, requires engineering judgment and knowledge of machining, welding, and operational factors since these interact to determine the final configuration of the engine and its components. Perhaps the best way to accomplish the final design is to sit down with appropriate drafting materials and begin to draft a cross-section view of the engine. A scale of $2/1$ (or twice actual size) is about right for these small engines and will enable the designer to better visualize the entire assembly.

Using the dimensions obtained in the example calculation, and the design technique described above, the rocket engine assembly design shown in Figure 8 is obtained. The engine design features easy fabrication and assembly.

FABRICATION

The fabrication and assembly of a small liquid fuel rocket engine is no more difficult than the more serious amateur machine projects, such as model steam engines, gasoline engines, and turbines. Because the rocket engine has no rotating parts, dynamic balance of components is not required. However, the use of quality, homogeneous materials and careful fabrication technique are definitely required to produce a safe, working, rocket engine.

A properly designed small liquid-fuel rocket engine requires the following machine and hand tools:

1. 6" or 10" metal-turning lathe, with attachments
2. Precision drill press
3. hand files, calipers, micrometers, etc.
4. oxy-acetylene torch or small arc welder.

Since a properly designed engine will have symmetrical parts, a milling machine or planer will not be required. The metal-turning lathe should have a repeatable accuracy of 0.001 inch. The drill press will be used to drill small diameter holes and should have a true running, high speed chuck.

Mensuration equipment such as calipers, micrometers, etc.. must be capable of inside and outside diameter measurements, lengths, and should be used to locate holes, recesses, and other features prior to actual machining.

The joining of the various engine components is especially critical since the engine will operate at high pressure and high temperature.

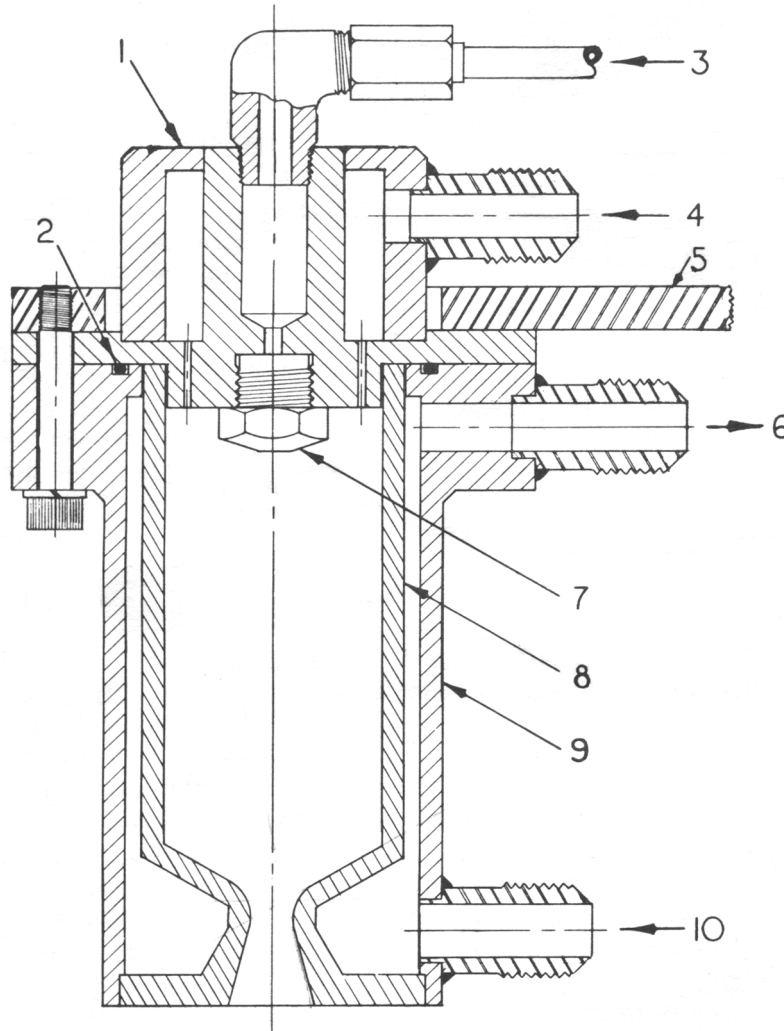


Figure 8 Assembly drawing of small liquid-fuel rocket engine.

- | | |
|-----------------------|------------------------|
| (1) injector assembly | (6) coolant |
| (2) O-ring | (7) fuel spray nozzle |
| (3) liquid fuel | (8) combustion chamber |
| (4) gaseous oxygen | (9) outer shell |
| (5) engine mount | (10) coolant |

The ability of the welder, and the welding techniques employed, should be as good as those required for aircraft work. Metal joints must be clean, with a close fit between parts to ensure adequate weld strength and integrity. To the extent possible, assembled components should be pressure tested with water (or nitrogen gas, but that is dangerous) prior to actual use with propellants. Repair of leaks or initially poor welds must be carefully done with subsequent retesting with pressurized water (called hydro-testing or hydrostatic testing).

As discussed previously, the combustion chamber and nozzle should be built as a one piece unit. This arrangement, while more difficult from a machining point of view, eliminates the requirement for a joint of some kind between the two parts; this joint would be exposed to the hot combustion gases (5700°F) on one side and would, in all probability, fail. Building the combustion chamber and nozzle in one piece eliminates this potential failure point. Care must be exercised during the machining of the copper chamber-nozzle to ensure constant wall thickness and the correct taper in the nozzle region. Thin wall sections are potential failure points and could result in almost immediate catastrophic failure during firing.

Machining of the outer shell or jacket is less critical than the combustion chamber-nozzle. Typical materials for this part are stainless steel or brass. The inside diameter of the shell should have a smooth finish to reduce cooling pressure drop, and the outside finish of the shell, which will be visible to the world, should reflect the care and concern of the machinist. The shell will also contain the coolant entry and exit ports. Since the coolant (typically water) will probably have an entry pressure of 60 to 100 psi, these ports and fittings should be constructed with some care. The use of flare type fittings with metal tapered seats (such as those manufactured by Parker or Weatherhead) is highly recommended. The shell will also feature a method of attaching the injector and for mounting the engine to a test or thrust stand. As shown in Figure 8, these two mounting requirements can be easily combined to simplify the design. The forces to be considered when designing the shell are not the thrust forces (which are small, typically on the order of 20-30

pounds) but, rather, the pressure forces attempting to separate the injector from the shell. The pressure acting on the injector area out to the point of sealing between the injector and the outer shell is the combustion chamber pressure, which is typically 100 to 300 psi. The force attempting to separate the injector from the shell is slightly over 600 pounds for the design shown in Figure 8 at a combustion pressure of 300 psi. The bolts holding the two components together (and in this case also holding the assembly to the test mount) must withstand this force with an adequate safety factor (typically a factor of two). The number and size of bolts required can be obtained from Table IV, which gives the average load capacity of high strength steel bolts of various sizes. The strength of these bolts, however, depends to some extent on the adequacy of the threads in tapped holes, the tapped material, and the bolt tightening procedure used in assembly.

TABLE IV Average Load Capacity of High Strength Steel Bolts, SF = 2

Bolt Size	Load Capacity, lb
10-32	1500
1/4-20	2400
1/4-28	2750
3/8-16	5800

The outer shell must also contain a sealing device to prevent the high pressure combustion chamber gas from flowing back past the injector. Which an appropriately configured water-cooled design, the use of an elastomeric O-ring is highly desirable. A standard neoprene O-ring (manufactured by a number of companies, see List of Suppliers) will give reliable service if the surrounding metal does not exceed a temperature of 200-300°F. Dimensions and design parameters for O-rings and O-ring grooves are given in manufacturers supply catalogs.

Another method of sealing is the use of an asbestos-copper crush gasket (very similar to those used on automobile spark plugs, only larger; see List of Suppliers). The copper crush gasket is positioned by a V-groove cut in the surface of the outer jacket at the sealing point. The mating surface of the injector should be smooth and flat, with no machine marks.

Figure 9 illustrates the relationship between an O-ring and a copper crush gasket and their mating surfaces.

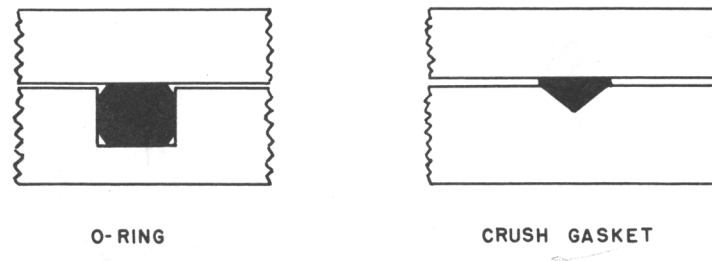


Figure 9 Detail on O-ring and crush gasket sealing methods. O-ring groove dimensions are critical and should be obtained from suppliers handbooks. Crush gasket groove dimensions are non-critical; groove depth should be about $1/3$ the thickness of uncrushed gasket.

The injector should be fabricated from copper to provide maximum heat transfer from the injector face to the incoming propellants. The outer shell of the injector can be made from either copper, stainless steel, or brass. However, since the propellant inlet fittings (again these should be the tapered seat, metal-to-metal kind) should be stainless steel for best results. It is usually a good idea to make the injector outer shell from stainless steel so that the inlet fittings can be attached to the remainder of the injector by silver brazing without weakening the inlet fitting welds.

Injection holes for the gaseous oxygen (and for the fuel, if impinging jets are used) will usually be made with numbered drills of small diameter. Extreme care should be used in drilling these holes, especially in soft copper. The drilled hole should have an entry and exit free from burrs or chips. It is vitally

important that injector components be thoroughly cleaned and de-burred prior to assembly. After injector welding, hot water should be used to thoroughly clean the injector assembly of brazing flux and residues, and the assembly should receive a final rinse in acetone or alcohol.

TESTING EQUIPMENT

In this section we shall discuss the auxiliary equipment needed to operate the rocket engine, the installation of this equipment, and its safe use in engine operation.

Feed System

The feed system for amateur rocket engine testing consists of a tank to store the liquid fuel, a regulated supply of high pressure nitrogen gas to force the fuel from the tank into the engine, a regulated supply of high pressure gaseous oxygen, and a control device for regulating the propellant flow rates. A typical pressurized feed system is shown schematically in Figure 10.

Feed System Components

The components of a rocket engine feed system are precision instruments designed to handle gas and/or liquids at high pressure. While many of the components suitable for use in amateur rocket feed systems are readily available from welding or automobile parts suppliers, they are usually relatively expensive. The amateur builder should expect the assembly of the feed system to be an expensive project which, however, need be done only once. The use of quality products, made to do the job or very carefully modified and pre-tested, is mandatory for safe operation of amateur rocket engines.

High Pressure Gas Cylinders

Gases stored in cylinders at high pressure (usually about 1800 psi) are readily obtained from any bottled gas supplier or from many welding suppliers. Special fittings with nonstandard threads are used to prevent use of incorrect equipment with the cylinders. Although cylinders can be purchased, they are usually rented and then returned to the supplier for recharge at a nominal fee. High pressure gas cylinders should never be dropped or mishandled. Cylinders should be stored so they cannot fall over or inadvertently roll; the best way of securing is to chain or strap the cylinders to an appropriate stand or worktable. When cylinders are not in use the cap should be kept on to protect the cylinder valve. Several suppliers of high pressure gases publish instruction books on the care and use of high pressure cylinders (see Bibliography); the amateur is encouraged to read and follow these professional instructions.

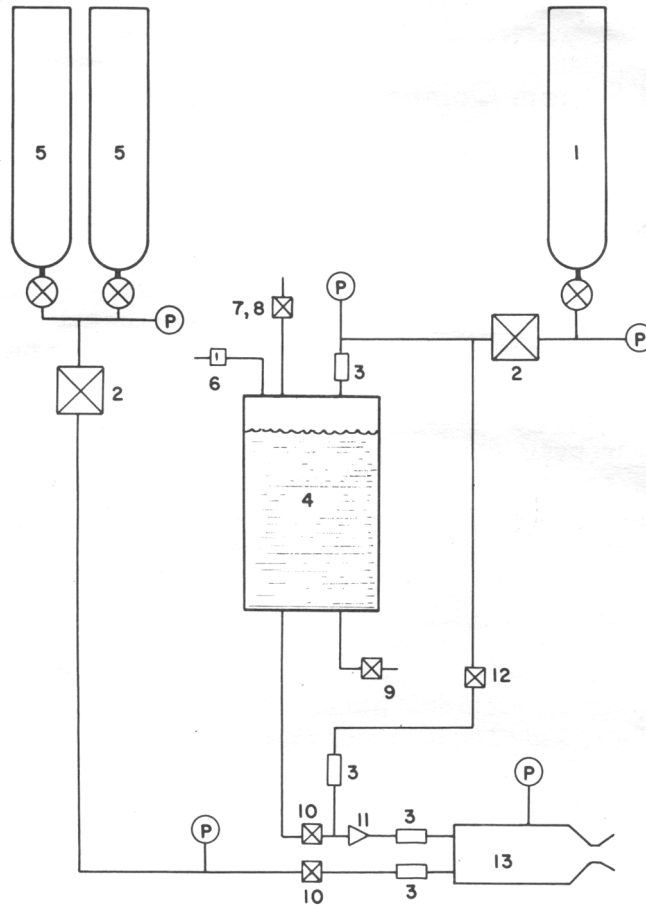


Figure 10 Schematic diagram of gas pressure feed system. Propellants are a liquid fuel and gaseous oxygen. (1) high pressure gaseous nitrogen supply, (2) pressure regulator, (3) check valve, (4) fuel tank, (5) gaseous oxygen cylinders, (6) relief valve, (7) vent valve, (8) fill port, (9) drain valve, (10) remotely operated propellant control valve, (11) fuel filter, (12) purge valve, (13) rocket engine. P is pressure gauge.

Gaseous Nitrogen

Nitrogen is an inert gas compatible with all normally available materials. The amateur builder will have little difficulty with materials of construction for nitrogen but must be careful that all components are suitable for high pressure service. Cleanliness of components is important for proper and reliable operation.

Gaseous Oxygen

Oxygen will not itself burn but does vigorously support the rapid combustion of almost all other materials. The amateur must be concerned not only with suitability of components for high pressure service but also must use only components that are made from oxygen compatible materials and that are cleaned for oxygen service. All items, including lines, fittings, valves, regulators, etc., MUST be absolutely free from oil, grease, and similar contaminants. Thorough cleaning of all items in solvent, followed by a complete rinse in acetone, is an absolute must. Orders for commercial items should be marked to indicate their intended use with high pressure gaseous oxygen. Many commercial suppliers of valves and regulators offer a special service for cleaning their products for oxygen service. The amateur should avail himself of these services whenever possible, even though they will add slightly to the initial cost of the component.

When cleaning components with solvent or acetone, the amateur builder should observe all rules of safety applying to these chemicals. They are toxic and easily ignited. Cleaning should be done outside and away from buildings, fires, or other possible ignition sources. These fluids should not be stored indoors but in vented lockers away from main buildings.

Fuel Tank

The fuel tank is a closed vessel which contains the liquid fuel at moderate pressure (300-500 psi). Tanks of various sizes and shapes, made from carbon- or stainless steel, are offered to the public from war surplus outlets. The amateur builder should be very careful if he decides to use such a tank. They should not be modified since in nearly all cases they are thin wall pressure vessels made for aircraft service, and additional outlets or welding to the tank wall could seriously weaken the tank. In all cases the tank should be hydrostatically tested to at least 1 1/2 times desired operating pressure before use in the rocket engine feed system.

The amateur may build (or have built) a tank especially for his requirements. Seamless tubing or pipe (mild steel or stainless steel) with welded flat end plates makes an excellent tank. Outlet ports are easily tapped in the flat end plates, The tank wall thickness is given by Equation (22)

$$t_w = PD/2S$$

where P is the pressure in the tank (1 1/2 times the desired operating pressure), D is the outside diameter of the tank, t_w is the wall thickness, and S is the allowable stress. The size of the tank is determined by the size of the rocket engine and the desired operating time. The engine discussed in Example Design Calculation had a fuel flow rate of 0.022 lb/sec. A tank with a 4-inch inside diameter and 12 inches long would hold enough gasoline to run this engine for 175 seconds. If the tank outside diameter is 4.5 inches, the allowable stress in the steel is 20,000 psi, and the operating pressure is 500 psi so that the design pressure is 750 psi, a tank minimum wall thickness of 0.085 inch is calculated. A wall thickness of 0.250 inch is chosen to allow for welding factors, stress concentrations, and the size of available seamless tubing. The tank inside diameter is 4.0 inches. The flat end plates for this tank should be at least twice the thickness of the tank wall (i.e. for this case, at least 1/2 inch thick). Drilling and tapping should be done prior to welding, to prevent oil and metal chips from falling into the tank. Welding should be done by an expert with several passes for each end plate (see Figure 11). End plate ports should then be re-tapped. The tank should be thoroughly cleaned and hydrostatically tested prior to use in the rocket engine feed system.

The fuel tank should contain enough ports, or the tank plumbing should be so arranged, that a safety relief valve (either spring loaded or a burst disc), gas inlet port, load and vent port, and fuel outlet and drain are available. Many of these functions can be incorporated as part of the gas inlet and fuel outlet plumbing so that only two ports, one on each end of the tank are required.

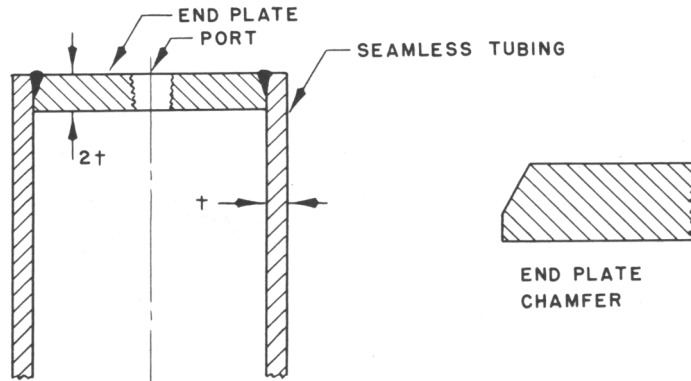


Figure 11 Fuel tank end detail. Several weld passes should be used to attach the end plates to the seamless tubing.

Tanks made from seamless tubing should not be greater than six inches in diameter; wall stress is a function of diameter, and at high stress, specialized design information, not usually available to the amateur builder, is required. Also, the force on the tank end plates increases rapidly with tank diameter.

Gaseous Nitrogen Regulator

The purpose of a regulator is to maintain a constant pressure on the downstream side of the regulator as the pressure in the gas cylinder on the upstream side decreases. A good quality regulator will maintain the downstream pressure quite accurately over a range of gas flow rates as long as the upstream cylinder pressure does not decrease so as to become too close to the downstream pressure. Thus, all the gas in the cylinder is not usable since some excess pressure (hence, gas) is required to drive the gas through, and maintain control of, the regulator. The flow rate of nitrogen gas required for the fuel from the tank is relatively small and could be handled by a regular gaseous oxygen welding regulator equipped with nitrogen cylinder fittings. However, most welding regulators do not permit adjustment to the high downstream pressure required for rocket engine operation. A number of commercial firms (see List of Suppliers) market regulators for non-welding purposes that are admirably suited for fuel tank pressurization.

Especially attractive is the Grove Mity-Mite regulator with internal regulation. Inexpensive, special fittings are required to attach these regulators to the gas cylinder. These fittings are available from several sources (see List of Suppliers).

Gaseous Oxygen Regulator

The discussion of regulators for gaseous nitrogen service applies to gaseous oxygen also, except that the regulator should be especially cleaned for oxygen service and, if possible, metal-to-metal seats should be used within the regulator. Regulator manufacturers should be consulted for recommendations on seat materials for use with gaseous oxygen in their regulators. Special fittings for attaching the regulator to the oxygen cylinder are available from the sources supplying nitrogen cylinder fittings. These sources can also supply cylinder manifold kits so that two or more oxygen cylinders can be used simultaneously to achieve long engine run durations.

Propellant Control Valves

The propellant control valves allow the operator to start and then manually remote-control the flow of each propellant in to the rocket engine. These valves should be stainless steel needle valves with Teflon packing or seals. Many manufacturers make this kind of valve (see List of Suppliers). The valve for gaseous oxygen should be larger than the valve for the fuel line. Engines of the size discussed in Example Design Calculation should use a 1/4-inch fuel valve (that is, 1/4 National Pipe Thread line size) and a 1/2-inch oxygen valve. The tubing actually entering, and leaving, the valves need not be this large, but the valves themselves should be as indicated to afford a range of flow control with minimum pressure drop across the valve. Since these valves control the flow of propellants, they should be mounted near the tanks and engine on the test stand, and operated remotely by means of valve stem extensions (see discussion on Test Stand).

Other Valves

Other valves required in the feed system include the fuel tank vent and fill valve, the drain valve, and the nitrogen purge valve. Inexpensive, high quality ball valves are highly recommended for these functions since they offer positive shut-off, easy operation with handle indication of on or off, and full line opening. Brass or stainless steel valve bodies with Teflon seats are acceptable, and the valves may be line or panel mounted (see List of Suppliers).

Check Valves

Check valves permit fluid flow in one direction only. They are widely used in the aircraft and hydraulic industry and are manufactured by many companies. 1/4-inch line size is recommended for all functions shown in Figure 10 with the exception of the gaseous oxygen line check valve which should feature metal-to-metal seats and be at least 3/8inch line size. Check valves should be thoroughly cleaned prior to use and tested to insure that the check is working properly.

Relief Valves

The fuel tank requires a relief device of some type to prevent tank failure in the event of over-pressurization. While this is high unlikely, it could happen if the gaseous nitrogen regulator failed to function or shut-off properly. An adjustable spring-loaded relief valve is recommended because it may be set to different pressures as feed system uses change, and because, if used, does not have to be replaced. An alternate device is the burst disc which ruptures at a preset pressure and relieves the overpressure in the tank. Burst discs require replacement after actuation and are not pressure adjustable. A different disc must be used for each pressure range desired.

Fuel Filter

Fuel injection holes on small liquid-fuel rocket engines are easily plugged with contaminants from the fuel tank and control

system. A fuel filter which can filter out particles down to ten microns in size is highly recommended and will save the amateur builder much grief when actual testing is started. Several concerns make small filters suitable for rocket engine feed systems (see List of Suppliers).

Pressure Gauges

Fuel, oxygen, water, and combustion chamber pressure are essential measurements for rocket engine operation. Bourdon-tube pressure gauges offer accuracy, ruggedness, low cost, and availability for this requirement. Numerous manufacturers make these gauges in a bewildering variety of styles, sizes, and prices. Bronze Bourdon tubes are recommended since they are fully compatible (when cleaned) with gaseous oxygen or hydrocarbon fuel and are so widely used that significant cost savings are possible.

Small (2 1/2 or 3-inch diameter) high pressure gauges similar to those used on oxygen welding regulators should be used by the amateur builder for measuring pressure in the high pressure gas cylinders or manifolds. These gauges can be obtained from a welding supply shop.

Gauges for fuel, oxygen, water, and combustion chamber pressure should be at least 3 1/2 inch diameter for easy reading, from a distance. These 3 1/2 inch Acaloy gauges of Helicoid (see List of Suppliers) are recommended because of their reliability and low cost. These gauges are easily panel mounted and make a neat test stand installation.

Plumbing

Plumbing refers to the flow tubes and fittings used to connect the components discussed previously. 1/4-inch diameter stainless steel tubing for the fuel and nitrogen systems and 3/8 inch diameter stainless tubing for the oxygen line are recommended. Flare fittings with metal to metal seats are also recommended for joining the tubing to other components. 1/4 and 3/8 inch diameter copper tubing can also be used for the

fuel, oxygen, and nitrogen supply system but is not as desirable as stainless steel and is more easily flared. The amateur builder should use only good flaring tools and should form or bend tubing only with a tube bender. Where the fittings screw into fuel tank, valve, or other components having pipe threads, the use of Teflon tape on the threads is recommended. No other pipe thread compound should be used, especially on gaseous oxygen components.

TEST STAND

The amateur rocket engine test stand is a structure which incorporates a method for firmly mounting the rocket engine (preferably in a nozzle-down attitude), a mounting for the propellant flow control needle valves, the fuel tank and associated plumbing, and the oxygen and nitrogen cylinders with regulators and associated plumbing. The operator's station, which is really a part of the test stand, should be physically separated from the test stand proper by at least 20 feet, with a shrapnel barricade between. The operator's station should contain the control valve extensions, the ignition system battery and associated switches, and a mirror system so that the operator does not directly view the operating rocket engine.

The greatest hazard in testing small rocket engines is from shrapnel in the event of engine explosion or disintegration. Therefore, the test stand proper should be suitably barricaded to reduce shrapnel effect in all directions.

Figure 12 shows schematically the proper arrangement of components for a safe rocket engine test stand. The rocket engine is separated from the propellant flow control valves by a 1/8-inch thick steel barricade. The engine is firmly attached to a section of steel channel in the nozzle down position. This is the safest orientation for a liquid-fuel rocket engine since excess fuel, in the event of an ignition failure, simply drains out of the engine nozzle. The engine is mounted high enough from the ground so that no flame chute or other complicated exhaust deflector or fixture is required. The compressed gas cylinders

(one nitrogen and two oxygen) are mounted at the rear of the test stand and are separated from the control valves compartment by another barricade made from one-inch thick plywood. The nitrogen and oxygen regulators are mounted on this plywood barricade above the cylinders. In this manner, expended cylinders may be replaced with charged cylinders without disturbing the regulators or plumbing. A formed piece of stainless steel tubing between the oxygen manifold and the oxygen regulator and a similar piece of tubing between the nitrogen cylinder and its regulator are removed during cylinder exchange, and then reconnected. Lines should always be capped when not in use to prevent entry of dirt and other foreign objects.

The fuel tank is mounted between the forward steel barricade and the rear plywood barricade on a metal cross-piece attached to both barricades. The tank is mounted in the vertical position with the liquid outlet at the bottom.

The propellant flow control valves are mounted one atop the other in a metal bracket which is attached to the forward steel barricade. Panel mounted needle valves are recommended since they facilitate mounting in the manner described, and do not place mounting or operating stresses on the propellant flow tubing. Valve stem extensions, made from 1/4-inch pipe permit operation of the control valves from the operator's remote control station, which is located at least twenty feet from the test stand proper. Pressure gauges for fuel tank pressure, oxygen line pressure, cooling water exit pressure and combustion chamber pressure are mounted in a panel which is attached to the forward and rear barricades and which faces the operator's remote station.

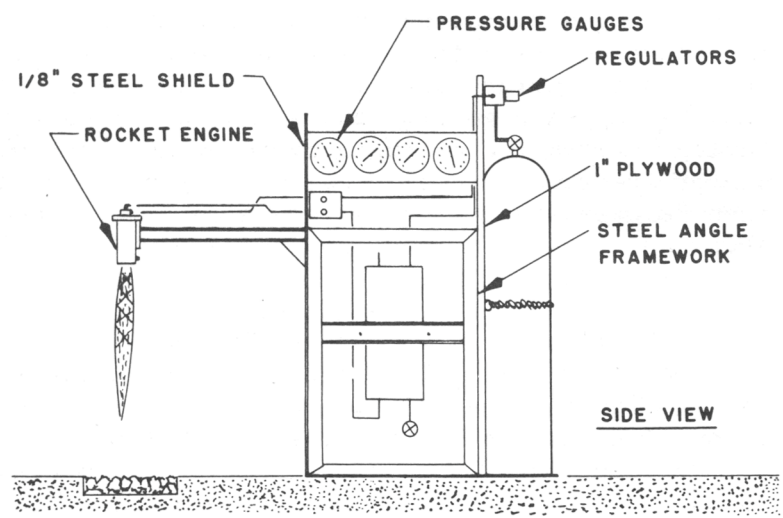
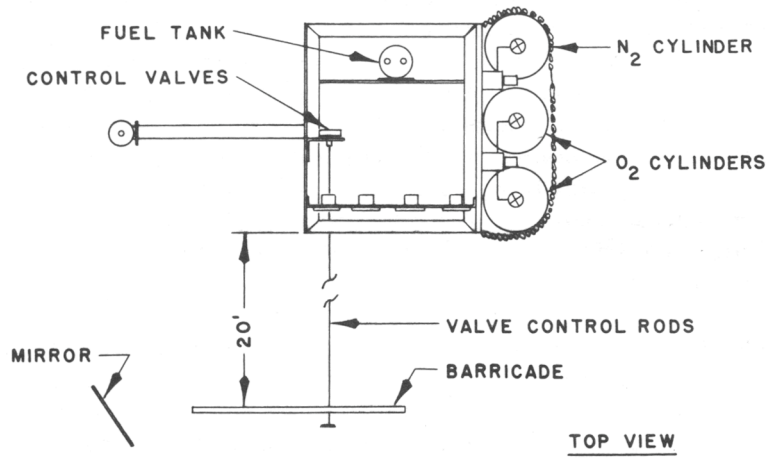


Figure 12 Test stand for a small liquid-fuel rocket engine.

Cooling water for the rocket engine is brought into a hose coupling attached to the stand, with semi-permanent plumbing between the coupling and the rocket engine. Water flowing from the cooling jacket should be directed away from the engine or can be directed downward onto a 3-inch deep layer of coarse stones laid beneath the rocket engine exhaust. These stones will prevent the engine exhaust from picking up dirt and dust; the water will cool the stones and extend their useful life. The jet of

cooling water can be observed by the operator as an indication that cooling water is actually flowing through the engine.

The test stand proper should have a framework made from welded or bolted steel angle. The forward steel and rear plywood barricade are bolted to this angle framework providing rigidity and strength. The test stand should be firmly attached to the surface of the test area either by bolting to a concrete pad or by weighing down with sand bags or concrete weights.

SAFETY

Because of the physical hazards involved in handling propellants and controlling high pressure combustion processes, certain elementary safety precautions must be observed in static testing of rocket engines. During the design, and later, the operation of amateur liquid rocket engines, the following general safety precautions should be observed:

1. The operator should be protected by a suitable barricade located some distance (at least 20 feet) from the test unit.
2. Control of valves during engine ignition and steady-state operation should be by remote means, which for amateur units is best achieved by manual control of needle valves via valve stem extensions.
3. A large chemical fire extinguisher (or, at least, a plentiful supply of water) should always be on hand.
4. The operator should not view the test unit directly, but should use a mirror arrangement (somewhat like a periscope) or use a thick layer of reinforced safety glass attached to the operator's barricade. REMEMBER, the primary danger is from shrapnel in the event of engine explosion.

5. Separating of fuel and oxidizer storage reduces the fire and explosion hazard and limits the amount of propellant stowed in any one area.
6. The test stand unit should be barricaded on several sides to reduce shrapnel effect in event of explosion.
7. Valves, pressure gauges, and other components which directly sense fluid properties should not be located in the operator's station, but should be on the test stand and remotely read. This rule does not apply to electrical instrumentation wherein a transducer is located on the test stand and an electrical readout (such as a meter) is located at the operator's station (this type of instrumentation is very expensive and is beyond the reach of most amateurs).
8. Warning signals should be given prior to tests (or whenever gas cylinder valves are open) to notify personnel that the area is hazardous. A test must NEVER be conducted until the operator has assured himself that all personnel are behind safety barricades or otherwise protected.
9. Personnel should be permitted to work in the test area only if fuel and oxidizer are separated and not pressurized.
10. Personnel handling propellants should wear safety equipment such as gloves, face shields, or rubber aprons. Remember that most fuels are toxic; do not breathe fuel vapors for even a short time.
11. No smoking is ever permitted anywhere near a test area when propellants are also present, Remember vapors from hydrocarbon fuels (such as gasoline) can travel long distances from the test area and can be ignited at a remote point traveling back to the test stand.

12. A check-off list is helpful when conducting a rocket engine firing and should be made up of both technical events and safety items to be completed prior to the firing.

ENGINE CHECK-OUT and CALIBRATION

After the rocket engine has been fabricated, several check-out tests and flow calibrations should be made prior to testing with live propellants.

Leak Testing

Connect the engine cooling jacket to a readily available source of pressurized water (such as lawn or house supply; pressure should be 50-100 psi with no flow). Attach a pressure gauge to the outlet port of the jacket and open the water valve, allowing water to fill the jacket. Observe the jacket and engine for leaks. There should be no leaks.

A similar pressure check should be performed on the fuel manifold of the injector. Since the injector face is not easily blanked off, perform this test by flowing water through the injector. Use a filter in the water line to avoid plugging the small fuel injection holes. Use a pressure gauge attached to the water line as near to the injector fuel entry port as possible. There should be no leaks.

Flow Calibration

The water flow rate through the engine cooling jacket should be determined for various inlet pressures. Use a bathroom or other available scale to weigh, in a container, water flowing through the engine over a timed period. Water pressure can be measured either at the entrance or exit of the cooling jacket. Attach a flexible hose (garden variety will do) to the outlet of the cooling jacket and start water flowing through the jacket at the desired pressure. Once steady flow has been achieved quickly move the hose outlet into the catch container

for a period of 30 seconds, then quickly remove the hose from the container. Use a stop or sweep second watch for the timing and be accurate! Obtain the net weight of collected water by subtracting from the weight of the filled container its empty weight. Divide the net weight by the time during which water was collected and the result will be water flow rate in lb/sec. This operation should be repeated several times at different pressures to obtain the flow characteristics of the coolant jacket. If insufficient water pressure is available to achieve the design water flow rate, check the size of tubing or hose used between the water source and the engine; it may be restricting the water flow rate. Check also the size of the flexible duct hose used. If these tests show that greater pressure is required to achieve the desired flow rate, a different source of cooling water may be required. Under extreme conditions, an air-pressurized water tank or a motor-driven pump may be required. Another solution is to disassemble the engine and re-bore the outer shell to open up the water flow passage. Material should NOT be removed from the combustion chamber/nozzle.

Flow rate tests of the injector, using water, can be performed in a manner similar to the cooling system calibration, although their worth is questionable. The flow characteristics of water and the hydrocarbon fuels are different, so that a water calibration is not directly comparable to what will occur when fuel is used. However, the pressure drop required to flow a given quantity of water will provide some indication of how closely design objectives were achieved. This test should be conducted in the same manner as the cooling water calibration test except that the flow time should be long enough to accumulate at least ten pounds of water.

Test Stand Checkout

After the test stand and operator's area are completed and components installed, tests should be conducted to determine that no gas or liquid leaks will occur when actual propellants are used. Fill the tank with clean water. Cap off the fuel and oxygen lines where they would normally attach to the engine. Pressurize the system to 100 psi and check for leaks. A soap

solution can be used to check around all fittings and seals. Soap bubbles indicate the presence of a gas leak. If no leaks are present, increase the pressure to 200 psi and repeat the detection procedure. Continue this procedure until the test stand operating pressure is reached and no leaks are present. Depressurize the system and refill the fuel tank with clean water. Attach the rocket engine to its test mount and connect all tubing. Pressurize the stand in the normal manner and practice the ignition and operating sequence using water as fuel (gaseous oxygen can safely be used in these tests, if desired). If no leaks develop, empty the fuel tank of water and dry by flushing with nitrogen gas for several seconds. The engine and test stand are now ready for their first hot firing.

IGNITION and OPERATION

Discussion of propellant ignition has been reserved until this point since it is really a test stand function and is required only for actual operation of the engine. The propellants used in amateur rocket engines require a separate source for ignition. Because the engines are small, the use of an engine-mounted spark plug is not generally feasible. Even if it were, the ignition of incoming propellants in the combustion chamber by a small spark plug is dangerous and unreliable. Propellant timing is extremely important in a bi-propellant liquid rocket engine. An excess of either propellant (if both are liquid) in the combustion chamber can lead to severe over-pressure upon ignition (known as "hard" start) and possible fracture of the combustion chamber. The amateur engine using gaseous oxygen is not nearly as sensitive to hard starts as if the oxidizer were a liquid.

Hundreds of tests with small liquid-fuel rocket engines employing gaseous oxygen as the oxidizer have indicated that hot-source ignition provides excellent propellant ignition characteristics, and drastically reduces hard starts. Hot-source ignition works as follows: two lengths of insulated #16 or #18 solid wire are taped together and their exposed ends are bent to form a spark gap of about 3/32-inch. A small amount of cotton is wrapped around, or attached to, the wires very near the spark

gap but not obstructing it. This ignition assembly is pushed through the nozzle into the combustion chamber of the rocket engine so that the spark gap is in the lower end of the combustion chamber but not blocking the nozzle throat. The wires outside the engine are bent or taped to hold the ignition assembly in position during the ignition phase. The free ends of the two wires are attached to the spark source (a Ford Model-T spark coil is ideal for this purpose). Figure 13 details this hot-source igniter. The ignition procedure, after the test stand is prepared for firing is:

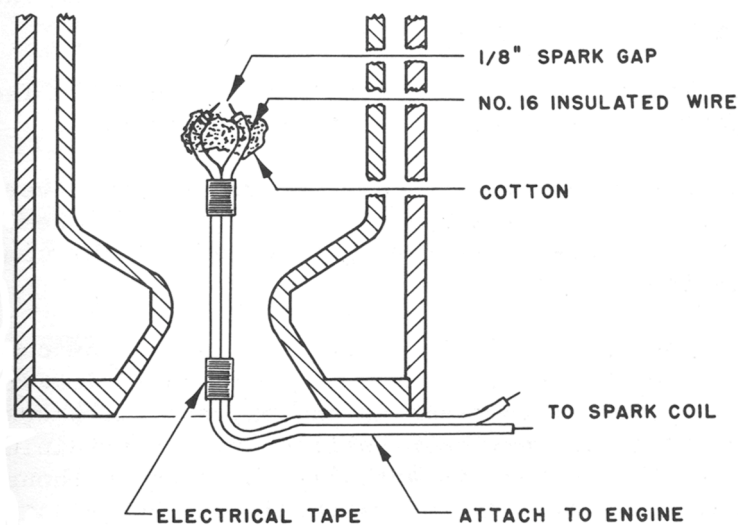


Figure 13 Hot-source igniter for small liquid fuel rocket engines using gaseous oxygen oxidizer. Igniter is consumed during each use and must be replaced.

1. The operator ascertains that the area is clear and ready for firing.
2. The operator checks operation of the spark coil and then disconnects the coil from the battery for safety. The battery should be at the operator's remote station.
3. The igniter cotton is soaked in gasoline or kerosene.

4. The ignitor is pushed through the nozzle into the combustion chamber and secured.
5. Gas cylinder valves are opened, the fuel tank is pressurized, and all gas pressures adjusted to operating values.
6. Cooling water is allowed to flow through the engine at the proper rate.
7. The firing bell or horn is sounded. The spark coil is reconnected to its battery.
8. The oxygen flow needle valve is opened very slightly to allow a very small flow of gaseous oxygen to pass over the ignitor and out the combustion chamber.
9. The spark coil is energized. Inside the combustion chamber the cotton igitor should immediately burst into flame in the oxygen atmosphere. The operator may have difficulty ascertaining that the cotton is actually burning although small flaming bits of material may be ejected from the nozzle.
10. The fuel control needle valve is now opened very slightly to allow fuel to flow into the combustion chamber. A flame should immediately appear at the nozzle exit and a low whistling sound should be heard.
11. The oxygen and fuel flow rates should now be rapidly and simultaneously increased by opening the control needle valves until the combustion chamber pressure gauge indicates that desired conditions Exist inside the chamber.
12. The operator will need to judge whether more or less oxygen is required for desired O/F ratio operation. More oxygen is required if the exhaust is bright yellow or smoky. (this is an indication of unburned carbon in the exhaust); if the exhaust is transparent or bluish the

oxygen flow should be decreased slightly. The correct mixture ratio is achieved when the exhaust gases are transparent (or nearly so) but the supersonic standing shocks (Mach diamonds) in the exhaust are clearly seen. Remember that as you vary the fuel and oxidizer flows you are changing not only the amount of material passing through the engine but are also affecting the temperature of the burning gases. Both of these effects will affect the combustion chamber pressure.

13. The noise from the engine will be quite high, but it is a good indicator of engine operation. It may be necessary to wear ear protection because of this high noise level.
14. The operator should have a timer or have someone time the engine run. It is quite safe to simply let the engine run out of liquid fuel. The gaseous nitrogen pressurizing the fuel tank then purges the fuel supply system automatically. The engine will abruptly stop operation and the operator can then turn off the flow of gaseous oxygen. If the engine is to be stopped prior to fuel depletion the fuel flow control valve should be quickly turned off, followed by opening of the nitrogen purge valve. After the engine has stopped operation (thus assuring that the nitrogen purge has forced all fuel from the engine) the gaseous oxygen valve may be turned off. The nitrogen purge valve is closed, the cylinder valves are closed, and the fuel tank vent valve opened. The oxygen line is vented by briefly opening the oxygen flow needle valve. Water should be allowed to flow through the engine cooling jacket for several minutes after run termination.
15. In the event of engine failure, the shutdown sequence detailed in (14), above, should be followed. Always shut-off the liquid fuel first. If engine metal parts are burning, also immediately shut-off the flow of gaseous oxygen (metal will burn vigorously in an oxygen environment).

16. A new ignitor will be required for each ignition attempt or firing. The ignitor assembly is partially consumed during the ignition process and residue is quickly blown from the combustion chamber upon ignition of the liquid fuel.
17. Always inspect the engine and other components for damage, apparent overheating or hot spots prior to another firing.
18. Some engine designs may exhibit combustion instability (chugging, chuffing, erratic combustion, etc.) at low chamber pressures or low fuel injection velocities. To avoid this problem, the operator should rapidly increase the chamber pressure after initial introduction of the liquid fuel.

Ignition and operation of small liquid-fuel rocket engines in the manner described offers the amateur a relatively safe and interesting activity. The operator will quickly discover and use many procedures to improve engine and test stand operation.

After achieving initial operation of the engine and test stand, the amateur can begin to consider methods of measuring engine thrust, determining the heat transfer to the cooling water, and noting the characteristics of the rocket engine exhaust. Photography of this exhaust is a definite challenge. As these additional features are added to the experimental set-up, the amateur should always keep safety and safe operating procedures foremost in mind.

THE LAW

There are no known laws prohibiting the design or construction of rocket engines, rocket vehicles or accessories, in the United States. However, certain communities do have laws prohibiting the operation of rocket motors or engines or the free flight of rocket powered vehicles. Prior to actually firing a rocket engine the amateur builder should make certain that he is not violating established ordinances. If ordinances prohibit local testing, a remote site may be needed.

The amateur builder should keep in mind that a rocket engine, even a small one, is an extremely noisy device. If local ordinances permit testing in a populated area, the amateur should consider the effect of engine operation on his neighbors before the initial firing. The noise of a rocket engine comes from the shearing action between the high velocity exhaust jet and the surrounding atmosphere. Some of the noise can be eliminated by firing the engine into a water-cooled duct. Ample quantities of water must be sprayed into the exhaust duct to rapidly cool the rocket exhaust stream and to protect the duct itself. However, this technique restricts viewing of the rocket exhaust plume and eliminates one of the unique features of rocket engine operation.

BIBLIOGRAPHY

The reader is urged to consult any of the following books for further information relating to rocket engines, materials, or design.

Rocket Propulsion Elements, by George P. Sutton. John Wiley & Sons, Inc., New York, 1964.

Design of Liquid, Solid, and Hybrid Rockets, by R. L. Peters. Hayden Book Co. Inc., New York, 1965.

Elements of Flight Propulsion, by J. V. Foa. John Wiley & Sons, Inc., New York, 1960.

Rocket Propulsion, by M. Barrere and others. Elsevier Publishing Co., Netherlands 1960.

Aerospace Propulsion, by Dennis G. Shepherd, Elsevier Publishing Company, 335 Vanderbilt Avenue, New York, NY, 1972. ISBN 71-190302.

Rocket Encyclopedia Illustrated. Aero Publishers. Inc., Los Angeles 26, California, 1959.

Thermodynamics, by Gordon J. Van Wylen. John Wiley & Sons, Inc., New York 1959.

Fluid Mechanics, by Victor L. Streeter. McGraw Hill Book Company, Inc., New York, 1966.

Heat Transmission, by W. H. McAdams. McGraw-Hill Book Company, Inc., New York, latest edition.

Design of Machine Elements, by M. F. Spotts. Prentice-Hall, Inc., Englewood Cliffs, N.J., 1955.

Mechanics of Materials, by Laurson & Cox. John Wiley & Sons, Inc., New York, 1955.

Stainless Steel Handbook, published by Allegheny Ludlum Steel Corp., Pittsburgh 22, Pa., 1959.

Alcoa Aluminum Handbooks published by Aluminum Company of America. Pittsburgh. 1959.

Alcoa Handbook of Design Stresses for Aluminum, published by Aluminum Company of America, Pittsburgh.

Matheson Compressed Gas Data Book, published by Matheson, P.O. Box 85 East Rutherford N.J. 1966.

LIST of SUPPLIERS

The following list of suppliers is not complete since there are literally hundreds of companies in the United States manufacturing items of interest and use to the amateur rocket engine builder. The reader is urged to consult his nearest city's telephone book Yellow Pages. Illustrated catalogs can be obtained by writing the companies listed below; ask for a current price list and the name of the nearest supplier.

Note: *Those suppliers listed in the original text, who are still around and now have a web site, have their company's web site listed under their mailing address information.*

Regulators

Grove Valve and Regulator Co.
6 529 Hollis Street
Oakland, California 94608

<http://www.grove.it/>

Victor Equipment Co.
840-854 Folsom Street
San Francisco, California 94107

<http://www.thermadyne.com/vec/index.asp?div=vec>

The Harris Calorific Co.
5501 Cass Avenue
Cleveland, Ohio 44102

<http://www.harrisweldingsupplies.com/>

Hoke Incorporated
10 Tenakill Park
Cresskill, New Jersey 07626

<http://www.hoke.com/>

Needle Valves

Dragon Engineering Co.
Excelsior Drive & Carmenita
P. O. 80x 489
Norwalk, California 90650

<http://www.dragonvalves.com/>

Hoke Incorporated
10 Tenakill Park
Cresskill, New Jersey 07626

<http://www.hoke.com/>

Republic Manufacturing, Co.
15655 Brookpark Road
Cleveland Ohio 44142

Robbins Aviation, Inc.
3817 Santa Fe Avenue
Vernon, California 90058

Circle Seal Products Co., Inc.
East Foothill Blvd. & Craig Street
Pasadena, California 91107

<http://www.circle-seal.com/>

Ball Valves

Hoke Incorporated
10 Tenakill Park
Cresskill, New Jersey 07626

<http://www.hoke.com/>

Jamesbury Corporation
669 Lincoln Street
Worcester, Massachusetts 01605

<http://www.Jamesbury.com/>

Hydromatics, Inc.
7 Lawrence Street
Bloomfield, New Jersey 07003

<http://www.hydromatics.com/>

Republic Manufacturing Co.
15655 Brookpark Road
Cleveland Ohio 44142

Check Valves

Circle Seal Products Co., Inc.
East Foothill Blvd. & Craig Street
Pasadena, California 91107

<http://www.circle-seal.com/>

Republic Manufacturing Co.
15655 Brookpark Road
Cleveland, Ohio 44142

Hoke Incorporated
10 Tenakill Park
Cresskill, New Jersey 07626

<http://www.hoke.com/>

Filters

Purolator Products, Inc.
1000 New Brunswick Avenue
Rahway, New Jersey 07065

<http://www.pureoil.com/>

Hoke Incorporated
10 Tenakill Park
Cresskill, New Jersey 07626

<http://www.hoke.com/>

Microporous Filter Division
Circle Seal Development Corp.
P. O. Box 3666
Anaheim, California 92803

<http://www.circle-seal.com/>

Relief Valves

Circle Seal Products Co., Inc.
East Foothill Blvd & Craig Street
Pasadena, California 91107

<http://www.circle-seal.com/>

Hoke Incorporated
10 Tenakill Park
Cresskill, New Jersey 07626

<http://www.hoke.com/>

Pressure Gauges

Helicoid Gage Division
American Chain & Cable Co.
Connecticut Avenue & Hewitt Street
Bridgeport, Connecticut 06602

United States Gauge Division
American Machine & Metals, Inc.
Sellersville, Pennsylvania 18960

Marsh Instrument Co.
3501 Howard Street
Skokie, Illinois 60076

<http://www.marshbellofram.com/>

Heise Bourdon Tube Co., Inc.
1 Brook Road
Newtown, Connecticut 06470

<http://www.heise.com/>

O-Rings

Parker Seal Co.
10567 Jefferson Blvd.
Culver City, California 90230

<http://www.parker.com/>

Minnesota Rubber Co.
3628 Wooddale Avenue
Minneapolis, Minnesota 55416

<http://www.mnrubber.com/>

Crush Gaskets

Gasket Manufacturing Co., Inc.
319 West 17th Street
P. O. Box 15438
Los Angeles, California 90015

Spray Nozzle

Delaval Manufacturing Co.
Grand Avenue & 4th Street
West Des Moines, Iowa 50265

Spraying Systems Co.
3265 Randolph Street
Bellwood, Illinois 60104

<http://www.spray.com/>

Tube Fittings

Parker Tube Fittings Division
Parker-Hannifin Corp.
17327 Euclid Avenue
Cleveland, Ohio 44112

<http://www.parker.com/>

Imperial-Eastman Corp.
6300 West Howard Street
Chicago, Illinois 60648

<http://www.imperial-eastman.net/>

Featherhead Co.
320 East 131st Street
Cleveland, Ohio 44108

Gas Cylinder Fittings

Western Enterprises, Inc.
27360 West Oviatt Road
P. O. Box 9737
Bay Village, Ohio 44140

Hoke Incorporated
10 Tenakill Park
Cresskill, New Jersey 07626

<http://www.hoke.com/>

CONVERSION FACTORS

<u>Multiply</u>	<u>by</u>	<u>To Obtain</u>
Btu/minute	0.02356	Horsepower
Btu/minute	17.57	Watts
Cubic feet	1728	Cubic inches
Cubic feet	7.48052	Gallons
Feet	12	Inches
Gallons	0.1337	Cubic feet
Gallons	231	Cubic inches
Gallons water	8.3453	Pounds water
Miles	5280	Feet
Miles/hour	1.467	Feet/sec
Minute	60	Seconds
Pounds	16	Ounces
Pounds water	0.1198	Gallons
Square feet	144	Square inches
Temp (degC + 17.78)	1.8	Temp (deg F)
Temp (degF + 460)	1	Abs. Temp (deg R)
Temp (degF - 32)	5/9	Temp (deg C)

ADDITIONAL ONLINE RESOURCES

Note: *Since this book originally came out in 1967 the following resources are listed for your convenience. They should provide you with more up-to-date information and resources online.*

For many more equipment suppliers:

<http://www.rocketry.org/suppliers/>

To find clubs and organizations that build, test and launch experimental rockets near you:

<http://www.rocketry.org/organizations/>

Many more current, and still in print, experimental rocketry and related texts and books are available online:

<http://www.rocketry.org/books/>

Rocketry related software programs for MS DOS, MS Windows, Macintosh OS, Mac OS X, Linux/UNIX, and Palm PDAs:

<http://www.rocketry.org/software/>

Frequently Asked Questions (FAQ) regarding experimental rocketry terminology and other helpful information:

<http://www.rocketry.org/faq/>

Chat and discussion forums for experimental rocketry, high power rocketry (large solids and hybrids), and model rocketry:

<http://www.rocketry.org/forums/>